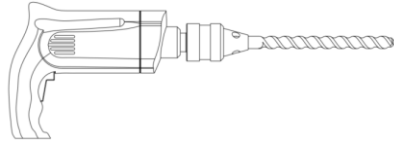
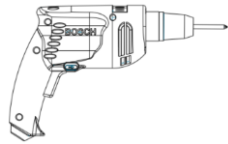



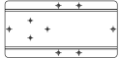
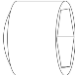




Mounting Pole Installation Guide

1. Tools for installation

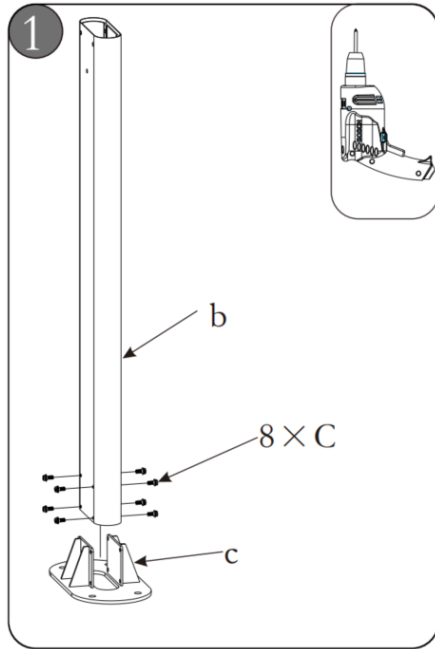


2. Pole-mounting accessories

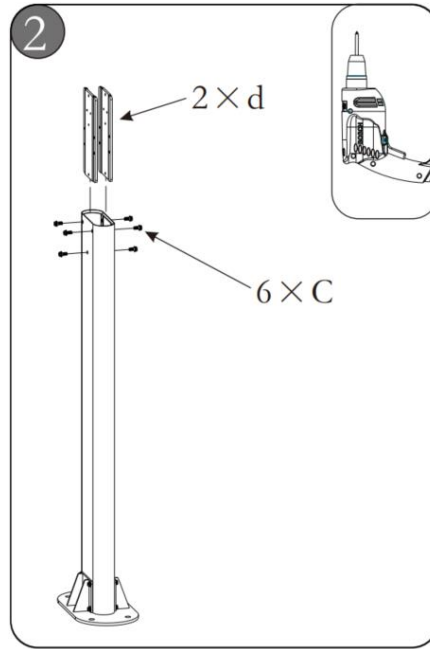
a: Mounting Pole-1		1	
b: Mounting Pole-2		1	
c: Baseplate		1	
d: Connecting plate		2	
A: Cover	M6X12	4	
B: Expansion bolt	M8X60	4	
C: Screw	M5X12	20	

3. Installation Steps

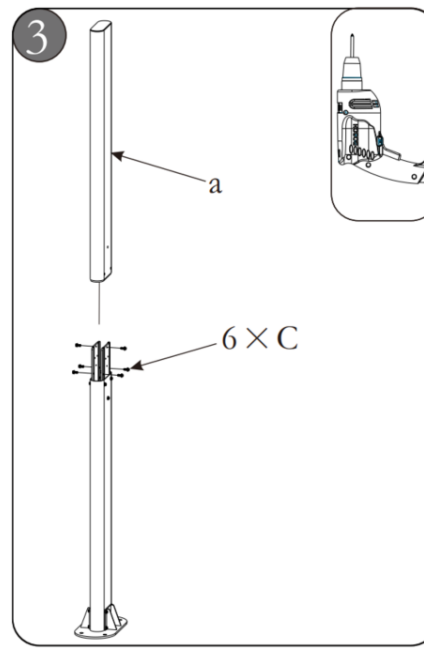
① Fix baseplate and Mounting Pole-2.



② Connect the connecting plate to Mounting Pole-2.



③ Connect the Mounting Pole-1 to connecting plate.



④ Fix the Mounting Pole to the foundation.

